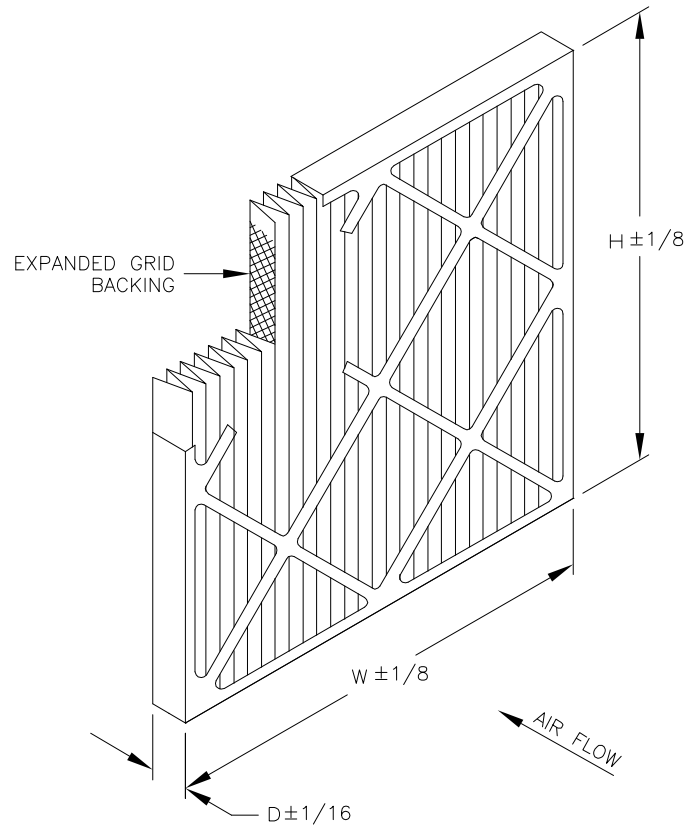


Model Number	Nominal Size (Inches) W x H x D	Actual Size (Inches) W x H x D	Rated Air Flow (CFM)	Initial Resistance (In. W.G.)	Media Area (Square Feet)
DP1-STD2-210	12 x 24 x 2	11-3/8 x 23-3/8 x 1-3/4	1000	.40	8.0
DP1-STD2-201	16 x 20 x 2	15-1/2 x 19-1/2 x 1-3/4	1111	.40	9.9
DP1-STD2-202	16 x 25 x 2	15-1/2 x 24-1/2 x 1-3/4	1388	.40	12.3
DP1-STD2-203	20 x 20 x 2	19-1/2 x 19-1/2 x 1-3/4	1388	.40	11.9
DP1-STD2-204	20 x 25 x 2	19-1/2 x 24-1/2 x 1-3/4	1736	.40	14.9
DP1-STD2-205	24 x 24 x 2	23-3/8 x 23-3/8 x 1-3/4	2000	.40	17.9
DP1-STD4-403	20 x 20 x 4	19-1/2 x 19-1/2 x 3-3/4	1388	.35	18.8
DP1-STD4-405	24 x 24 x 4	23-3/8 x 23-3/8 x 3-3/4	2000	.35	27.4



**STANDARD CONSTRUCTION**

1. Yellow High-Loft Fiberglass Media
2. Expanded Metal Pleat Supports
3. Non-Flammable Board Frame
4. Double Wall Frame
5. High Temperature Adhesive

**NOTES**

1. MERV 8 per ASHRAE 52.2-2007
2. Tested at 492 FPM on 24x24x2 face size
3. Final Resistance: 1.0" W.G.
4. Rated Velocity: 500 FPM
5. Classified per UL Standard 900 for Flammability
6. Construction and Materials Meets Requirements for UL 900 Class 1 prior to May 2012
7. Maximum Operating Temperature: 200 deg. F



100 River Ridge Circle  
Jeffersonville, IN 47130  
P: 866-247-4827  
F: 502-961-0930  
www.airguard.com

**CONTACT FACTORY TO  
VERIFY REVISION LEVEL**

**TOLERANCES  
UNLESS OTHERWISE SPECIFIED**

FRACTIONAL -  
DECIMAL -  
ANGLES -

ALL DIMENSIONS IN INCHES

DRAWING NAME

**TYPE DP1 (OLD CLASS 1 CONSTRUCTION)**

APPROVED BY

*K. Quinn*

SPECIFICATION NO.

MKT-B-00161

PAGE

1 OF 1

SCALE

NONE

DWG. SIZE

A

REVISION

I

REVISION DATE

07-07-17

CONFIDENTIAL - DO NOT COPY. THIS MATERIAL IS TRADE SECRET AND PROPRIETARY BEING EXCLUSIVELY OWNED BY CLC AIR. THE EXPRESSION OF THE INFORMATION CONTAINED HEREIN IS PROTECTED UNDER FEDERAL COPYRIGHT LAWS AND ALL COPYING IS PROHIBITED AND MAY BE SUBJECT TO CRIMINAL PENALTIES.