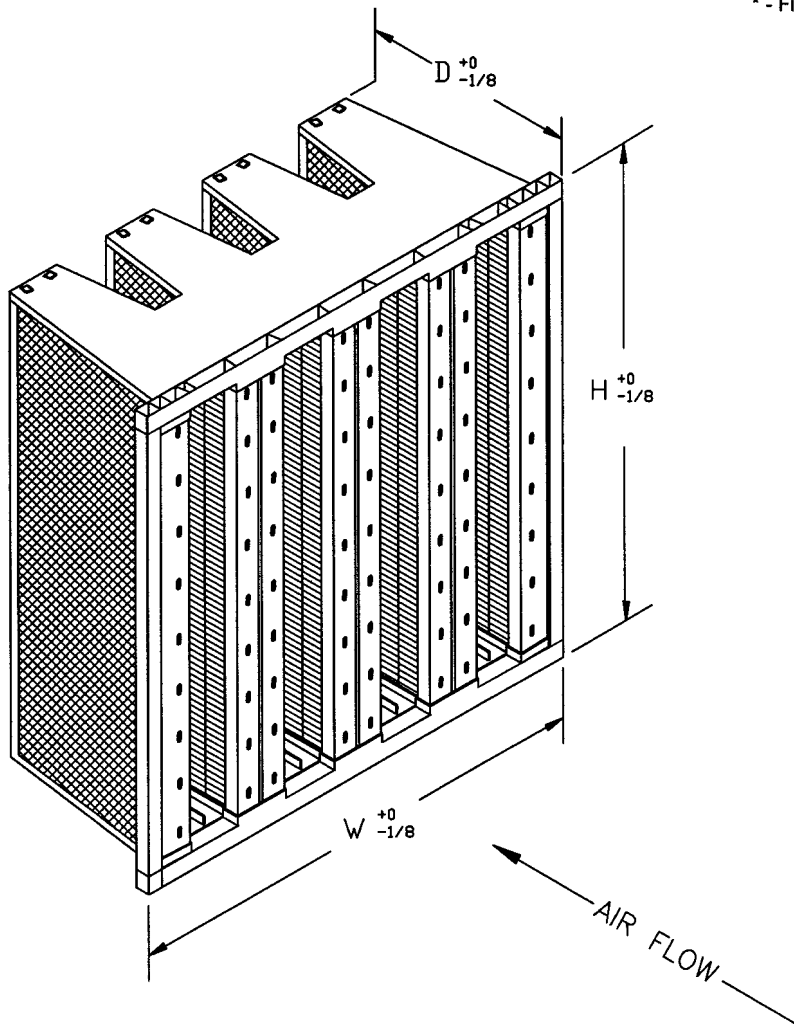


| Model Number | Nominal Size (Inches) H x W x D | Actual Size (Inches) H x W x D | Rated Air Flow (CFM) | Initial Resistance (IN W.G.) | | Media Area (Square Feet) |
|--------------|---------------------------------------|--------------------------------------|----------------------------|---------------------------------|--------|-----------------------------|
| | | | | 90-95% | 60-65% | |
| VPL-*04-GT | 24 x 24 x 12 | 23-3/8 x 23-3/8 x 11-1/2 | 2500 | .65 | .48 | 194 |
| VPL-*03-GT | 12 x 24 x 12 | 11-3/8 x 23-3/8 x 11-1/2 | 1250 | .65 | .48 | 97 |

* - Filter Efficiency (95 = 90-95%, 65 = 60-65%)



STANDARD CONSTRUCTION

1. High Efficiency, Microglass Paper Media
2. Mini-Pleat Bead Separator Packs
3. Rigid Plastic End Plates
4. Galvanized Steel Support Struts
5. Urethane Sealant In Vertical Struts
6. Expanded Metal Faceguards On Air Leaving Side

NOTES

1. Recommended Final Resistance: 2.5" W.G.
2. Burst Strength: 25" W.G.
3. Rated Velocity 12" Deep - 625 FPM
4. Class 2 Filter Per U.L. Standard 900
5. Maximum Operating Temperature: 180 deg. F



ONE SOURCE
FOR
AIR FILTRATION
PRODUCTS

P.O. Box 32578
Louisville, KY 40232
P: 502-969-2304
F: 502-961-0930

CONTACT FACTORY TO
VERIFY REVISION LEVEL

TOLERANCES
UNLESS OTHERWISE SPECIFIED

FRACTIONAL
DECIMAL
ANGLES

ALL DIMENSIONS IN INCHES

DRAWING NAME

VARI+PLUS GT

APPROVED BY

SPECIFICATION NO.

MKT-B-00181

PAGE

1 OF 1

SCALE

NONE

DWG. SIZE

A

REVISION

A

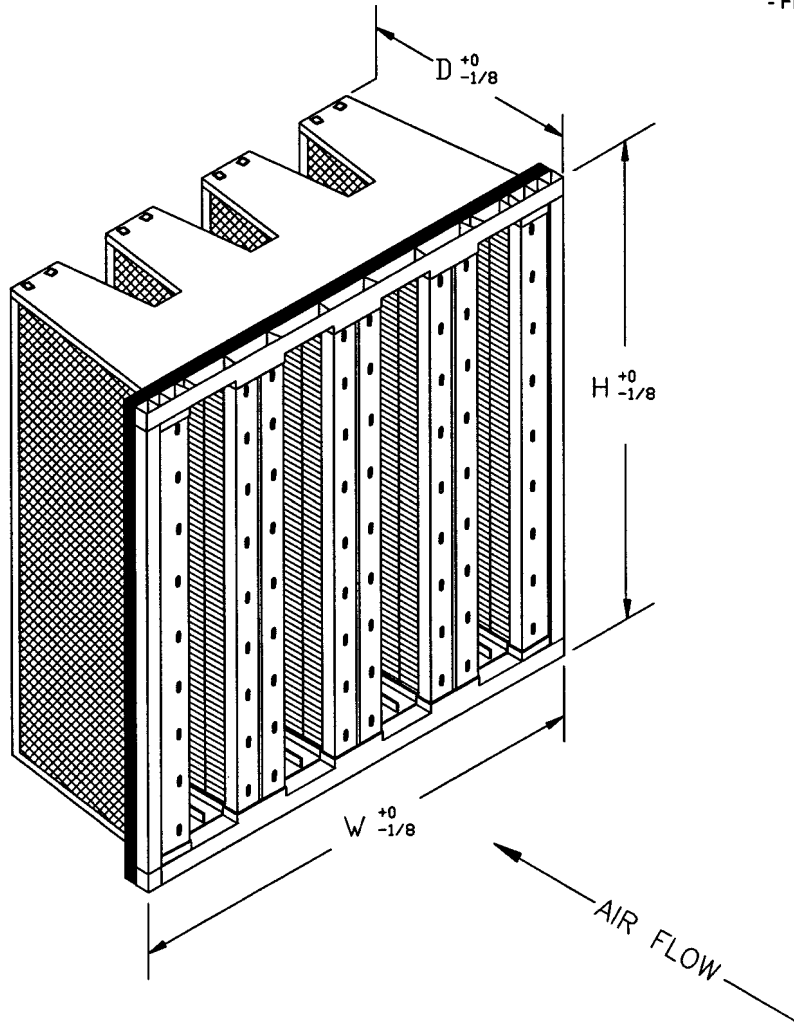
REVISION DATE

06-07-01

CONFIDENTIAL - DO NOT COPY. THIS MATERIAL IS TRADE SECRET AND PROPRIETARY BEING EXCLUSIVELY OWNED BY AIRGUARD. THE EXPRESSION OF THE INFORMATION CONTAINED HEREIN IS PROTECTED UNDER FEDERAL COPYRIGHT LAWS AND ALL COPYING IS PROHIBITED AND MAY BE SUBJECT TO CRIMINAL PENALTIES.

| Model Number | Nominal Size (Inches) H x W x D | Actual Size (Inches) H x W x D | Rated Air Flow (CFM) | Initial Resistance (IN W.G.) | | Media Area (Square Feet) |
|--------------|---------------------------------------|--------------------------------------|----------------------------|---------------------------------|--------|-----------------------------|
| | | | | 90-95% | 60-65% | |
| VPL-*04-GT-D | 24 x 24 x 12 | 23-3/8 x 23-3/8 x 11-1/2 | 2500 | .65 | .48 | 194 |
| VPL-*03-GT-D | 12 x 24 x 12 | 11-3/8 x 23-3/8 x 11-1/2 | 1250 | .65 | .48 | 97 |
| | | | | | | |

* - Filter Efficiency (95 = 90-95%, 65 = 60-65%)



STANDARD CONSTRUCTION

1. High Efficiency, Microglass Paper Media
2. Mini-Pleat Bead Separator Packs
3. Rigid Plastic End Plates
4. Galvanized Steel Support Struts
5. Urethane Sealant In Vertical Struts
6. Expanded Metal Faceguards On Air-Leaving Side
7. Neoprene Gasket On Air-Leaving Side

NOTES

1. Recommended Final Resistance: 2.5" W.G.
2. Burst Strength: 25" W.G.
3. Rated Velocity 12" Deep - 625 FPM
4. Class 2 Filter Per U.L. Standard 900
5. Maximum Operating Temperature: 180 deg. F



ONE SOURCE
FOR
AIR FILTRATION
PRODUCTS

P.O. Box 32578
Louisville, KY 40232
P: 502-969-2304
F: 502-961-0930

CONTACT FACTORY TO
VERIFY REVISION LEVEL

TOLERANCES
UNLESS OTHERWISE SPECIFIED

FRACTIONAL
DECIMAL
ANGLES

ALL DIMENSIONS IN INCHES

DRAWING NAME

VARI+PLUS GT-D

APPROVED BY

[Signature]

SPECIFICATION NO.

MKT-B-00182

PAGE

1 OF 1

SCALE

NONE

DWG. SIZE

A

REVISION

A

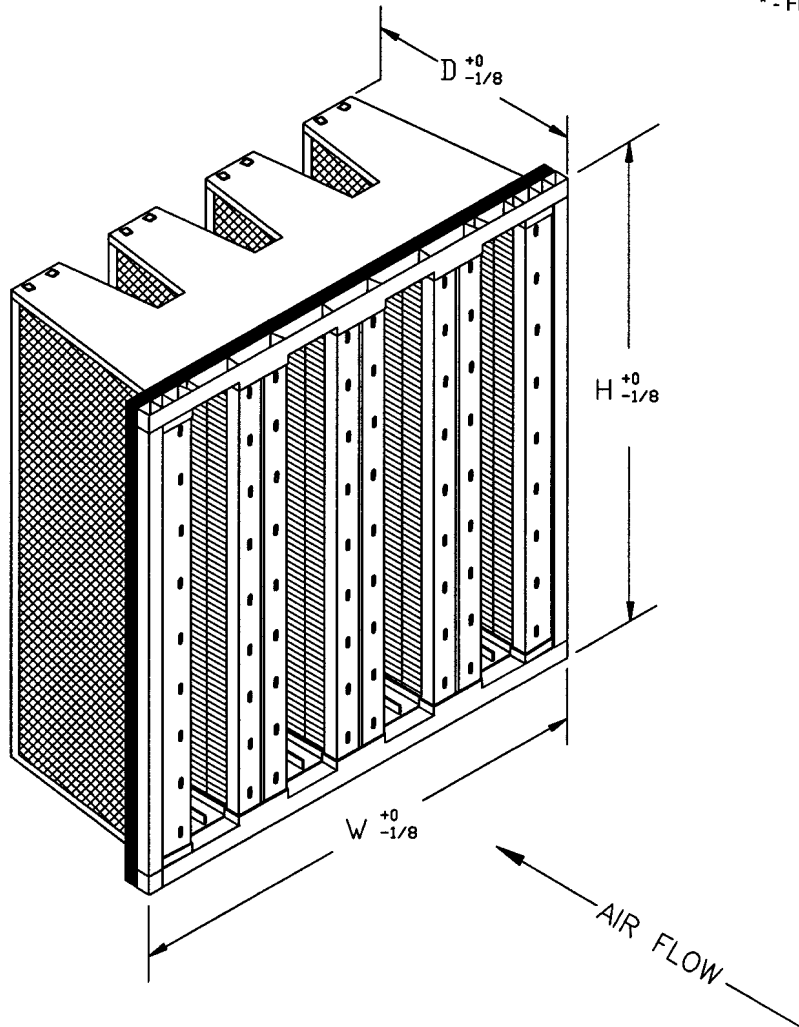
REVISION DATE

06-07-01

CONFIDENTIAL - DO NOT COPY. THIS MATERIAL IS TRADE SECRET AND PROPRIETARY BEING EXCLUSIVELY OWNED BY AIRGUARD. THE EXPRESSION OF THE INFORMATION CONTAINED HEREIN IS PROTECTED UNDER FEDERAL COPYRIGHT LAWS AND ALL COPYING IS PROHIBITED AND MAY BE SUBJECT TO CRIMINAL PENALTIES.

| Model Number | Nominal Size (Inches) H x W x D | Actual Size (Inches) H x W x D | Rated Air Flow (CFM) | Initial Resistance (IN W.G.) | | Media Area (Square Feet) |
|---------------|---------------------------------------|--------------------------------------|----------------------------|---------------------------------|--------|-----------------------------|
| | | | | 90-95% | 60-65% | |
| VPL-*04-GTH-D | 24 x 24 x 12 | 23-3/8 x 23-3/8 x 11-1/2 | 2500 | .65 | .48 | 194 |
| VPL-*03-GTH-D | 12 x 24 x 12 | 11-3/8 x 23-3/8 x 11-1/2 | 1250 | .65 | .48 | 97 |

* - Filter Efficiency (95 = 90-95%, 65 = 60-65%)




STANDARD CONSTRUCTION

1. High Efficiency, Microglass Paper Media
2. Mini-Pleat Bead Separator Packs
3. Rigid Plastic End Panels
4. Galvanized Steel Support Struts
5. Urethane Sealant In Vertical Struts
6. Silicone Sealant In End Caps
7. Expanded Metal Faceguards On Air Leaving Side
8. Neoprene Gasket On Air-Leaving Side

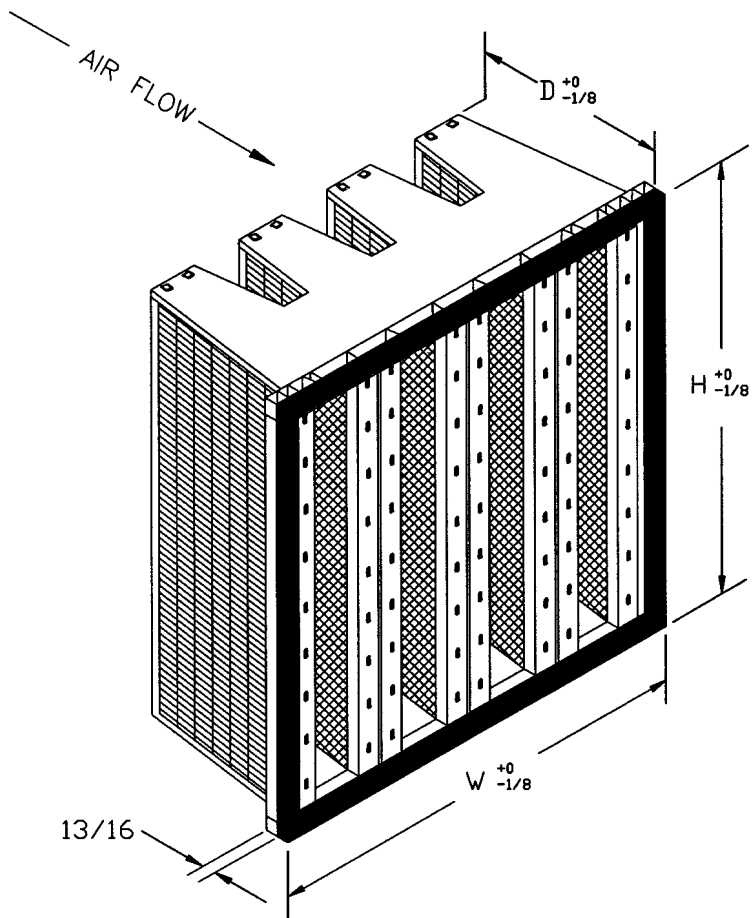
NOTES

1. Recommended Final Resistance: 2.5" W.G.
2. Burst Strength: 25" W.G.
3. Rated Velocity 12" Deep - 625 FPM
4. Class 2 Filter Per U.L. Standard 900
5. Maximum Operating Temperature: 180 deg. F

| | | | | | |
|---|--|--|-----------------------------------|--|---------------------------|
|  ONE SOURCE FOR AIR FILTRATION PRODUCTS | P.O. Box 32578 Louisville, KY 40232 P: 502-969-2304 F: 502-961-0930 | TOLERANCES UNLESS OTHERWISE SPECIFIED | | DRAWING NAME VARI+PLUS GTH-D | |
| | | FRACTIONAL DECIMAL ANGLES | APPROVED BY <i>[Signature]</i> | SPECIFICATION NO. MKT-B-00183 | PAGE 1 OF 1 |
| CONTACT FACTORY TO VERIFY REVISION LEVEL | | SCALE NONE | DWG. SIZE A | REVISION A | REVISION DATE 06-06-01 |
| | | <small>CONFIDENTIAL - DO NOT COPY. THIS MATERIAL IS TRADE SECRET AND PROPRIETARY BEING EXCLUSIVELY OWNED BY AIRGUARD. THE EXPRESSION OF THE INFORMATION CONTAINED HEREIN IS PROTECTED UNDER FEDERAL COPYRIGHT LAWS AND ALL COPYING IS PROHIBITED AND MAY BE SUBJECT TO CRIMINAL PENALTIES.</small> | | | |
| | | ALL DIMENSIONS IN INCHES | | | |

| Model Number | Nominal Size (Inches) H x W x D | Actual Size (Inches) H x W x D | Rated Air Flow (CFM) | Initial Resistance (IN W.G.) | | Media Area (Square Feet) |
|-----------------|---------------------------------------|--------------------------------------|----------------------------|---------------------------------|--------|-----------------------------|
| | | | | 90-95% | 60-65% | |
| VPL-*04-GTH-R-D | 24 x 24 x 12 | 23-3/8 x 23-3/8 x 11-1/2 | 2500 | .65 | .48 | 194 |
| VPL-*03-GTH-R-D | 12 x 24 x 12 | 11-3/8 x 23-3/8 x 11-1/2 | 1250 | .65 | .48 | 97 |

* - Filter Efficiency (95 = 90-95%, 65 = 60-65%)





STANDARD CONSTRUCTION

1. High Efficiency, Microglass Paper Media
2. Mini-Pleat Bead Separator Packs
3. Rigid Plastic End Panels
4. Galvanized Steel Support Struts
5. Urethane Sealant In Vertical Struts
6. Silicone Sealant In End Caps
7. Expanded Metal Faceguards On Air Leaving Side
8. Dove Tail Interlocking Neoprene Gasket On Air Leaving Side
9. Reverse Air Flow Direction

NOTES

1. Recommended Final Resistance: 2.5" W.G.
2. Burst Strength: 25" W.G.
3. Rated Velocity 12" Deep - 625 FPM
4. Class 2 Filter Per U.L. Standard 900
5. Maximum Operating Temperature: 180 deg. F

| | | | | | | | | | |
|--|--|---|--|--|--|---|--|--|--|
|  <p>ONE SOURCE FOR AIR FILTRATION PRODUCTS</p> | <p>P.O. Box 32578 Louisville, KY 40232 P: 502-969-2304 F: 502-961-0930</p> | <p>TOLERANCES UNLESS OTHERWISE SPECIFIED</p> | | | | <p>DRAWING NAME VARI+PLUS GTH-R-D</p> | | | |
| | | <p>CONTACT FACTORY TO VERIFY REVISION LEVEL</p> | | <p>FRACTIONAL DECIMAL ANGLES</p> | | <p>APPROVED BY: </p> | | <p>SPECIFICATION NO. MKT-B-00179</p> | |
| <p>ALL DIMENSIONS IN INCHES</p> | | <p>SCALE NONE</p> | | <p>DWG. SIZE A</p> | | <p>REVISION B</p> | | <p>REVISION DATE 06-06-01</p> | |
| <p>CONFIDENTIAL - DO NOT COPY. THIS MATERIAL IS TRADE SECRET AND PROPRIETARY BEING EXCLUSIVELY OWNED BY AIRGUARD. THE EXPRESSION OF THE INFORMATION CONTAINED HEREIN IS PROTECTED UNDER FEDERAL COPYRIGHT LAWS AND ALL COPYING IS PROHIBITED AND MAY BE SUBJECT TO CRIMINAL PENALTIES.</p> | | | | | | | | | |