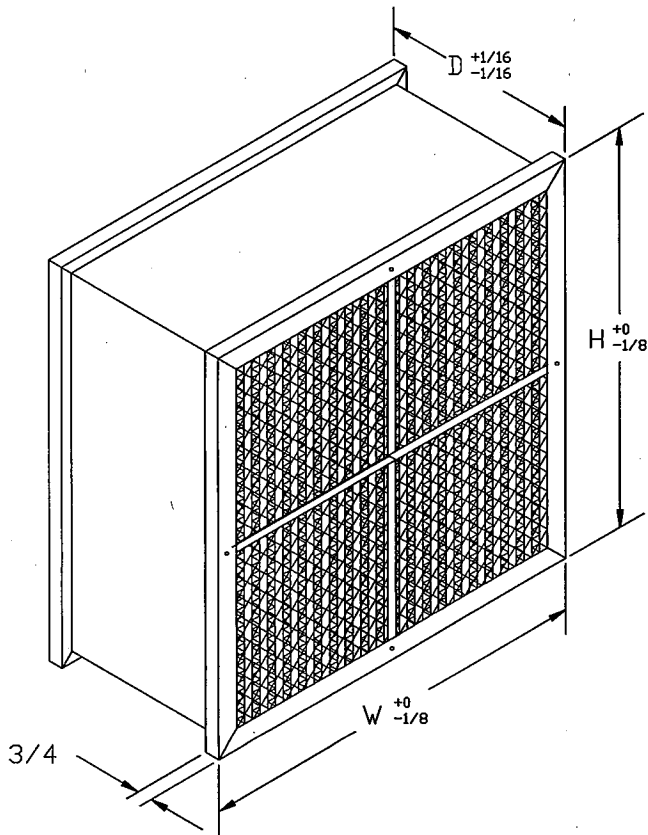


Model Number*	Nominal Size (Inches) H x W x D	Actual Size (Inches) H x W x D	Rated Air Flow (CFM)	Initial Resistance (IN W.G.)			Media Area (Square Feet)
				90-95%	80-85%	60-65%	
VMC_04-HT-500	24 x 24 x 12	23-3/8 x 23-3/8 x 11-1/2	2000	.65	.55	.40	124
VMC_13-HT-500	20 x 20 x 12	19-3/8 x 19-3/8 x 11-1/2	1400	.65	.55	.40	82
VMC_03-HT-500	12 x 24 x 12	11-3/8 x 23-3/8 x 11-1/2	1000	.65	.55	.40	24

* - Insert Filter Efficiency (9 = 90-95%, 8 = 80-85%, 6 = 60-65%). Example VMC-904-HT-500 is 90-95%, 24x24x12 Nominal Size



STANDARD CONSTRUCTION

1. High Efficiency, Microglass Paper Media
2. Corrugated Aluminum Separators With Rolled Edges
3. High Loft Microglass Wrap Around Media Pack
4. 24 Gauge Aluminized Steel Cell Sides
5. Header on Air Entering & Air Leaving Sides
Single Piece U-Channel
6. Expanded Metal Grid With Cross Bar Brace Both Sides
7. High Temperature Glass Rope Gasket on Air Leaving Side of Header

NOTES

1. Average Efficiency, MERV
90-95% ASHRAE 52.1-1992, MERV 14 ASHRAE 52.2-1999
80-85% ASHRAE 52.1-1992, MERV 13 ASHRAE 52.2-1999
60-65% ASHRAE 52.1-1992, MERV 11 ASHRAE 52.2-1999
2. Final Resistance: 1.2" W.G.
3. Rated Velocity 12" Deep - 500 FPM
4. Class 1 Filter Per U.L. Standard 900
5. Maximum Operating Temperature: 500 deg. F
6. Special Sizes Available



ONE SOURCE
FOR
AIR FILTRATION
PRODUCTS

P.O. Box 32578
Louisville, KY 40232
P: 502-969-2304
F: 502-961-0930

CONTACT FACTORY TO
VERIFY REVISION LEVEL

TOLERANCES
UNLESS OTHERWISE SPECIFIED

FRACTIONAL
DECIMAL
ANGLES

ALL DIMENSIONS IN INCHES

DRAWING NAME

VARIFLOW DOUBLE HEADER HT-500

APPROVED BY

[Signature]

SPECIFICATION NO.

MKT-B-00471

PAGE

1 OF 1

SCALE

NONE

DWG. SIZE

A

REVISION

A

REVISION DATE

12-22-05

CONFIDENTIAL - DO NOT COPY. THIS MATERIAL IS TRADE SECRET AND PROPRIETARY BEING EXCLUSIVELY OWNED BY AIRGUARD. THE EXPRESSION OF THE INFORMATION CONTAINED HEREIN IS PROTECTED UNDER FEDERAL COPYRIGHT LAWS AND ALL COPYING IS PROHIBITED AND MAY BE SUBJECT TO CRIMINAL PENALTIES.