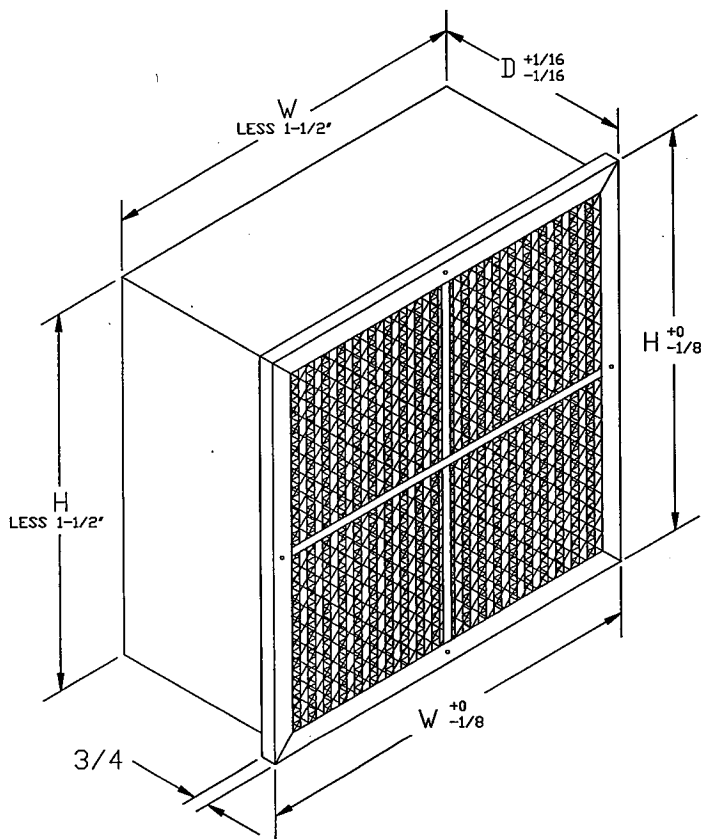


Model Number*	Nominal Size (Inches) H x W x D	Actual Size (Inches) H x W x D	Rated Air Flow (CFM)	Initial Resistance (IN W.G.)			Media Area (Square Feet)
				90-95%	80-85%	60-65%	
VMB_04-HT-500	24 x 24 x 12	23-3/8 x 23-3/8 x 11-1/2	2000	.65	.55	.40	124
VMB_13-HT-500	20 x 20 x 12	19-3/8 x 19-3/8 x 11-1/2	1400	.65	.55	.40	82
VMB_03-HT-500	12 x 24 x 12	11-3/8 x 23-3/8 x 11-1/2	1000	.65	.55	.40	24

\* - Insert Filter Efficiency (9 = 90-95%, 8 = 80-85%, 6 = 60-65%). Example VMB-904-HT-500 is 90-95%, 24x24x12 Nominal Size




#### STANDARD CONSTRUCTION

1. High Efficiency, Microglass Paper Media
2. Corrugated Aluminum Separators With Rolled Edges
3. High Loft Microglass Wrap Around Media Pack
4. 24 Gauge Aluminized Steel Cell Sides
5. Header on Air Entering Side: Single Piece U-Channel
6. Expanded Metal Grid With Cross Bar Brace Both Sides
7. High Temperature Glass Rope Gasket on Air Leaving Side of Header

#### NOTES

1. Average Efficiency, MERV
  - 90-95% ASHRAE 52.1-1992, MERV 14 ASHRAE 52.2-1999
  - 80-85% ASHRAE 52.1-1992, MERV 13 ASHRAE 52.2-1999
  - 60-65% ASHRAE 52.1-1992, MERV 11 ASHRAE 52.2-1999
2. Final Resistance: 1.2" W.G.
3. Rated Velocity 12" Deep - 500 FPM
4. Class 1 Filter Per U.L. Standard 900
5. Maximum Operating Temperature: 500 deg. F
6. Special Sizes Available


**ONE SOURCE  
FOR  
AIR FILTRATION  
PRODUCTS**

P.O. Box 32578  
 Louisville, KY 40232  
 P: 502-969-2304  
 F: 502-961-0930

CONTACT FACTORY TO  
VERIFY REVISION LEVEL

#### TOLERANCES UNLESS OTHERWISE SPECIFIED

FRACTIONAL  
DECIMAL  
ANGLES

ALL DIMENSIONS IN INCHES

DRAWING NAME

VARIFLOW HT-500

APPROVED BY

*K. O. Am...*

SPECIFICATION NO.

MKT-B-00147

PAGE

1 OF 1

SCALE

NONE

DWG. SIZE

A

REVISION

B

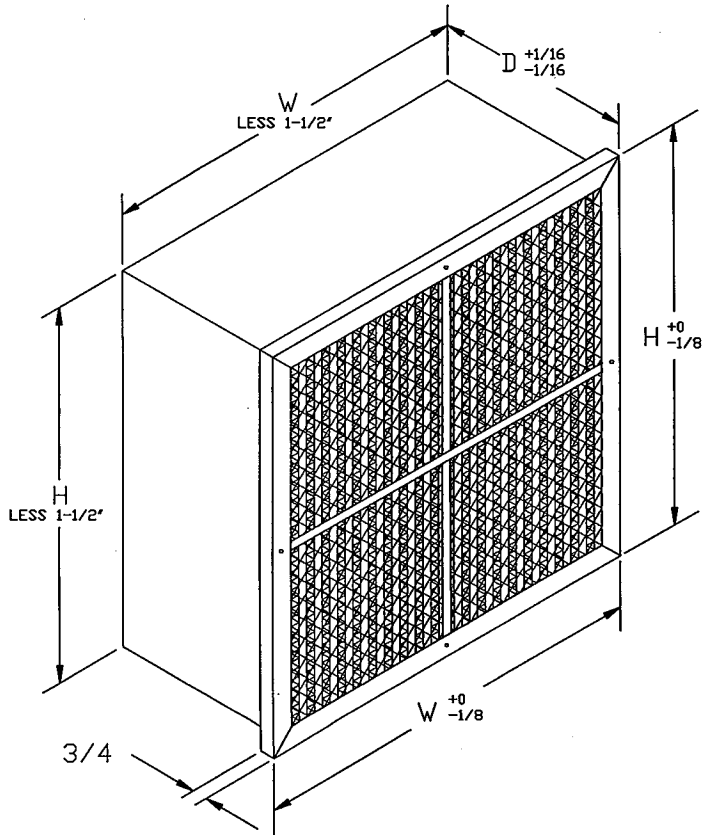
REVISION DATE

11-17-05

CONFIDENTIAL - DO NOT COPY. THIS MATERIAL IS TRADE SECRET AND PROPRIETARY BEING EXCLUSIVELY OWNED BY AIRGUARD. THE EXPRESSION OF THE INFORMATION CONTAINED HEREIN IS PROTECTED UNDER FEDERAL COPYRIGHT LAWS AND ALL COPYING IS PROHIBITED AND MAY BE SUBJECT TO CRIMINAL PENALTIES.

Model Number*	Nominal Size (Inches) H x W x D	Actual Size (Inches) H x W x D	Rated Air Flow (CFM)	Initial Resistance (IN W.G.)			Media Area (Square Feet)
				90-95%	80-85%	60-65%	
VMB_04-HT-750	24 x 24 x 12	23-3/8 x 23-3/8 x 11-1/2	2000	.68	.60	.46	139
VMB_13-HT-750	20 x 20 x 12	19-3/8 x 19-3/8 x 11-1/2	1400	.68	.60	.46	92
VMB_03-HT-750	12 x 24 x 12	11-3/8 x 23-3/8 x 11-1/2	1000	.68	.60	.46	28

\* - Insert Filter Efficiency (9 = 90-95%, 8 = 80-85%, 6 = 60-65%). Example VMB-904-HT-750 is 90-95%, 24x24x12 Nominal Size




**STANDARD CONSTRUCTION**

1. High Efficiency, Microglass Paper Media
2. Corrugated Aluminum Separators With Rolled Edges
3. High Loft Microglass Wrap Around Media Pack
4. 24 Gauge Aluminized Steel Cell Sides
5. Header on Air Entering Side: Single Piece U-Channel
6. Expanded Metal Grid With Cross Bar Brace Both Sides
7. High Temperature Glass Rope Gasket on Air Leaving Side of Header

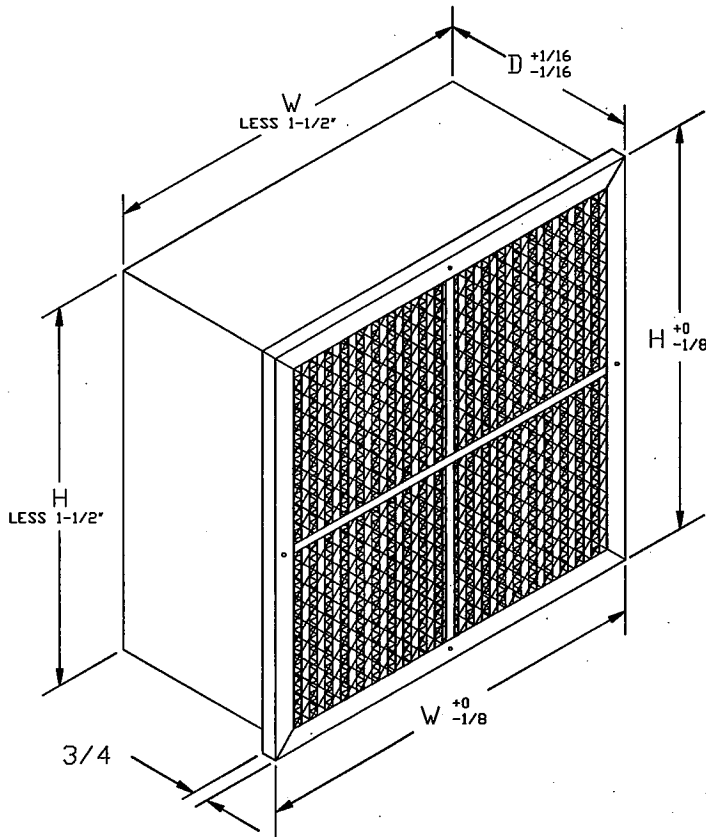
**NOTES**

1. Average Efficiency, MERV  
90-95% ASHRAE 52.1-1992, MERV 14 ASHRAE 52.2-1999  
80-85% ASHRAE 52.1-1992, MERV 13 ASHRAE 52.2-1999  
60-65% ASHRAE 52.1-1992, MERV 11 ASHRAE 52.2-1999
2. Final Resistance: 1.2" W.G.
3. Rated Velocity 12" Deep - 500 FPM
4. Class 1 Filter Per U.L. Standard 900
5. Maximum Operating Temperature: 750 deg. F
6. Special Sizes Available

 <b>ONE SOURCE FOR AIR FILTRATION PRODUCTS</b>	<b>P.O. Box 32578 Louisville, KY 40232 P: 502-969-2304 F: 502-961-0930</b>	<b>TOLERANCES UNLESS OTHERWISE SPECIFIED</b>		DRAWING NAME <b>VARIFLOW HT-750</b>	
		FRACTIONAL DECIMAL ANGLES	APPROVED BY <i>[Signature]</i>	SPECIFICATION NO. MKT-B-00136	PAGE 1 OF 1
<b>CONTACT FACTORY TO VERIFY REVISION LEVEL</b>		SCALE NONE	DWG. SIZE A	REVISION C	REVISION DATE 03-03-06
ALL DIMENSIONS IN INCHES		<small>CONFIDENTIAL - DO NOT COPY. THIS MATERIAL IS TRADE SECRET AND PROPRIETARY BEING EXCLUSIVELY OWNED BY AIRGUARD. THE EXPRESSION OF THE INFORMATION CONTAINED HEREIN IS PROTECTED UNDER FEDERAL COPYRIGHT LAWS AND ALL COPYING IS PROHIBITED AND MAY BE SUBJECT TO CRIMINAL PENALTIES.</small>			

Model Number*	Nominal Size (Inches) H x W x D	Actual Size (Inches) H x W x D	Rated Air Flow (CFM)	Initial Resistance (IN W.G.)			Media Area (Square Feet)
				90-95%	80-85%	60-65%	
VMB_04-HT-900	24 x 24 x 12	23-3/8 x 23-3/8 x 11-1/2	2000	.71	.65	.58	183
VMB_13-HT-900	20 x 20 x 12	19-3/8 x 19-3/8 x 11-1/2	1400	.71	.65	.58	125
VMB_03-HT-900	12 x 24 x 12	11-3/8 x 23-3/8 x 11-1/2	1000	.71	.65	.58	35

\* - Insert Filter Efficiency (9 = 90-95%, 8 = 80-85%, 6 = 60-65%). Example VMB-904-HT-900 is 90-95%, 24x24x12 Nominal Size



#### STANDARD CONSTRUCTION

1. High Efficiency, Microglass Paper Media
2. Corrugated Aluminum Separators With Rolled Edges
3. High Loft Microglass Wrap Around Media Pack
4. 24 Gauge Aluminized Steel Cell Sides
5. Header on Air Entering Side: Single Piece U-Channel
6. Expanded Metal Grid With Cross Bar Brace Both Sides
7. High Temperature Glass Rope Gasket on Air Leaving Side of Header

#### NOTES

1. Average Efficiency, MERV  
90-95% ASHRAE 52.1-1992, MERV 14 ASHRAE 52.2-1999  
80-85% ASHRAE 52.1-1992, MERV 13 ASHRAE 52.2-1999  
60-65% ASHRAE 52.1-1992, MERV 11 ASHRAE 52.2-1999
2. Final Resistance: 1.2" W.G.
3. Rated Velocity 12" Deep - 500 FPM
4. Class 1 Filter Per U.L. Standard 900
5. Maximum Operating Temperature: 900 deg. F
6. Special Sizes Available

**AIRGUARD** ONE SOURCE FOR AIR FILTRATION PRODUCTS  
 P.O. Box 32578  
 Louisville, KY 40232  
 P: 502-969-2304  
 F: 502-961-0930

CONTACT FACTORY TO VERIFY REVISION LEVEL

TOLERANCES UNLESS OTHERWISE SPECIFIED

- FRACTIONAL
- DECIMAL
- ANGLES

ALL DIMENSIONS IN INCHES

DRAWING NAME: **VARIFLOW HT-900**

APPROVED BY: *R. O. ...* SPECIFICATION NO. MKT-B-00148 PAGE 1 OF 1

SCALE: NONE DWG. SIZE: A REVISION: C REVISION DATE: 12-22-05

CONFIDENTIAL - DO NOT COPY. THIS MATERIAL IS TRADE SECRET AND PROPRIETARY BEING EXCLUSIVELY OWNED BY AIRGUARD. THE EXPRESSION OF THE INFORMATION CONTAINED HEREIN IS PROTECTED UNDER FEDERAL COPYRIGHT LAWS AND ALL COPYING IS PROHIBITED AND MAY BE SUBJECT TO CRIMINAL PENALTIES.