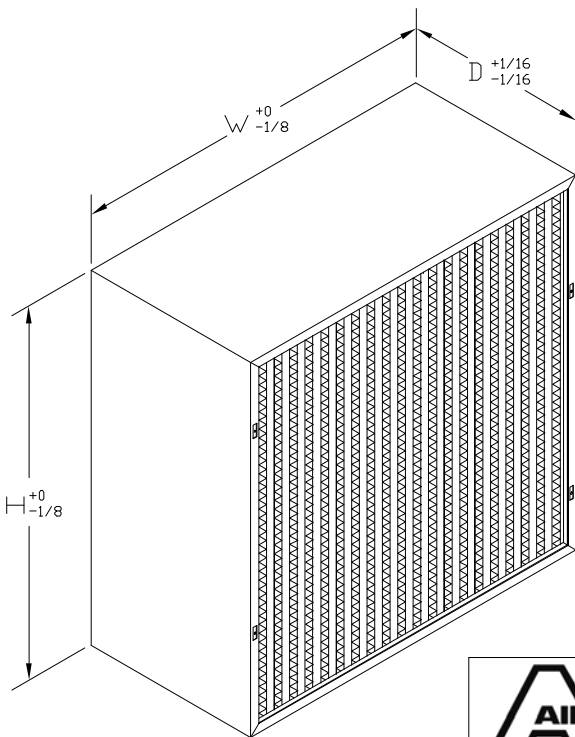


Nominal Size (Inches) W x H x D	Actual Size (Inches) W x H x D	MERV 14		MERV 13		MERV 11		Rated Airflow (CFM)	Media Area (Square Feet)
		Model Number	Initial Resistance (In. W.G.)	Model Number	Initial Resistance (In. W.G.)	Model Number	Initial Resistance (In. W.G.)		
24 x 24 x 12	23-3/8 x 23-3/8 x 11-1/2	VSC-MA-904	0.70	VSC-MA-804	0.60	VSC-MA-604	0.43	2000	121
20 x 25 x 12	19-3/8 x 24-3/8 x 11-1/2	VSC-MA-912	0.70	VSC-MA-812	0.60	VSC-MA-612	0.43	1750	105
20 x 24 x 12	19-3/8 x 23-3/8 x 11-1/2	VSC-MA-915	0.70	VSC-MA-815	0.60	VSC-MA-615	0.43	1650	101
20 x 20 x 12	19-3/8 x 19-3/8 x 11-1/2	VSC-MA-913	0.70	VSC-MA-813	0.60	VSC-MA-613	0.43	1400	83
18 x 24 x 12	17-3/8 x 23-3/8 x 11-1/2	VSC-MA-911	0.70	VSC-MA-811	0.60	VSC-MA-611	0.43	1500	91
16 x 25 x 12	15-3/8 x 25-3/8 x 11-1/2	VSC-MA-910	0.70	VSC-MA-810	0.60	VSC-MA-610	0.43	1400	84
16 x 20 x 12	15-3/8 x 19-3/8 x 11-1/2	VSC-MA-909	0.70	VSC-MA-809	0.60	VSC-MA-609	0.43	1100	67
12 x 24 x 12	11-3/8 x 23-3/8 x 11-1/2	VSC-MA-903	0.70	VSC-MA-803	0.60	VSC-MA-603	0.43	1000	57
24 x 24 x 6	23-3/8 x 23-3/8 x 5-7/8	VSC-MA-902	0.40	VSC-MA-802	0.38	VSC-MA-602	0.23	1000	55
20 x 25 x 6	19-3/8 x 24-3/8 x 5-7/8	VSC-MA-908	0.40	VSC-MA-808	0.38	VSC-MA-608	0.23	875	48
20 x 24 x 6	19-3/8 x 23-3/8 x 5-7/8	VSC-MA-916	0.40	VSC-MA-816	0.38	VSC-MA-616	0.23	825	46
20 x 20 x 6	19-3/8 x 19-3/8 x 5-7/8	VSC-MA-914	0.40	VSC-MA-814	0.38	VSC-MA-614	0.23	700	38
18 x 24 x 6	17-3/8 x 23-3/8 x 5-7/8	VSC-MA-907	0.40	VSC-MA-807	0.38	VSC-MA-607	0.23	750	42
16 x 25 x 6	15-3/8 x 24-3/8 x 5-7/8	VSC-MA-906	0.40	VSC-MA-806	0.38	VSC-MA-606	0.23	700	38
16 x 20 x 6	15-3/8 x 19-3/8 x 5-7/8	VSC-MA-905	0.40	VSC-MA-805	0.38	VSC-MA-605	0.23	550	31
12 x 24 x 6	11-3/8 x 23-3/8 x 5-7/8	VSC-MA-901	0.40	VSC-MA-801	0.38	VSC-MA-601	0.23	500	26



**STANDARD CONSTRUCTION**

1. High Efficiency, Microglass Paper Media
2. Corrugated Aluminum Separators With Rolled Edges
3. High Loft Microglass Wrap Around Media Pack
4. 24 Gauge Galvanized Steel Cell Sides
5. Expanded Metal Grid on Air Leaving Side
6. (4) Retainer Holes for Spring Latches

**NOTES**

1. Testing per ASHRAE 52.2-2007  
Tested at 492 FPM on 24x24x12 Size Filters  
Tested at 246 FPM on 24x24x6 Size Filters
2. Final Resistance: 1.5" W.G.
3. Rated Velocity 12" Deep - 500 FPM
4. Rated Velocity 6" Deep - 250 FPM
5. Classified per U.L. Standard 900
6. Maximum Operating Temperature: 350 deg. F
7. Optional Gasket Available  
U - Upstream Gasket (Ex: VSC-MA-904-U)  
D - Downstream Gasket  
UD- Both Sides
8. Reverse Pleat Orientation Available  
Add "-R" to Model Number (Ex: VSC-MA-904-R)
9. Antimicrobial Option Available on MERV 14 Product  
Add "-BIO" to Model Number
10. Special Sizes Available



100 River Ridge Circle  
Jeffersonville, IN 47130  
P: 866-247-4827  
F: 866-801-1809  
www.dclair.com/airguard

**CONTACT FACTORY TO  
VERIFY REVISION LEVEL**

**TOLERANCES  
UNLESS OTHERWISE SPECIFIED**

FRACTIONAL -  
DECIMAL -  
ANGLES -

ALL DIMENSIONS IN INCHES

DRAWING NAME

**VARIFLOW VSC-MA (METAL BOX STYLE)**

APPROVED BY

*K. Clair*

SPECIFICATION NO.

**MKT-B-00141**

PAGE 1 OF 1

SCALE

**NONE**

DWG. SIZE

**A**

REVISION

**E**

REVISION DATE

**10-01-15**

CONFIDENTIAL - DO NOT COPY. THIS MATERIAL IS TRADE SECRET AND PROPRIETARY BEING EXCLUSIVELY OWNED BY CLCAIR. THE EXPRESSION OF THE INFORMATION CONTAINED HEREIN IS PROTECTED UNDER FEDERAL COPYRIGHT LAWS AND ALL COPYING IS PROHIBITED AND MAY BE SUBJECT TO CRIMINAL PENALTIES.