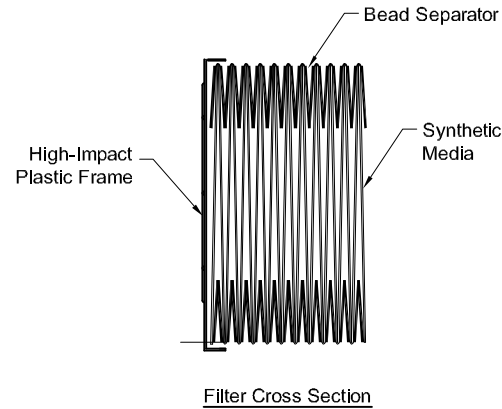
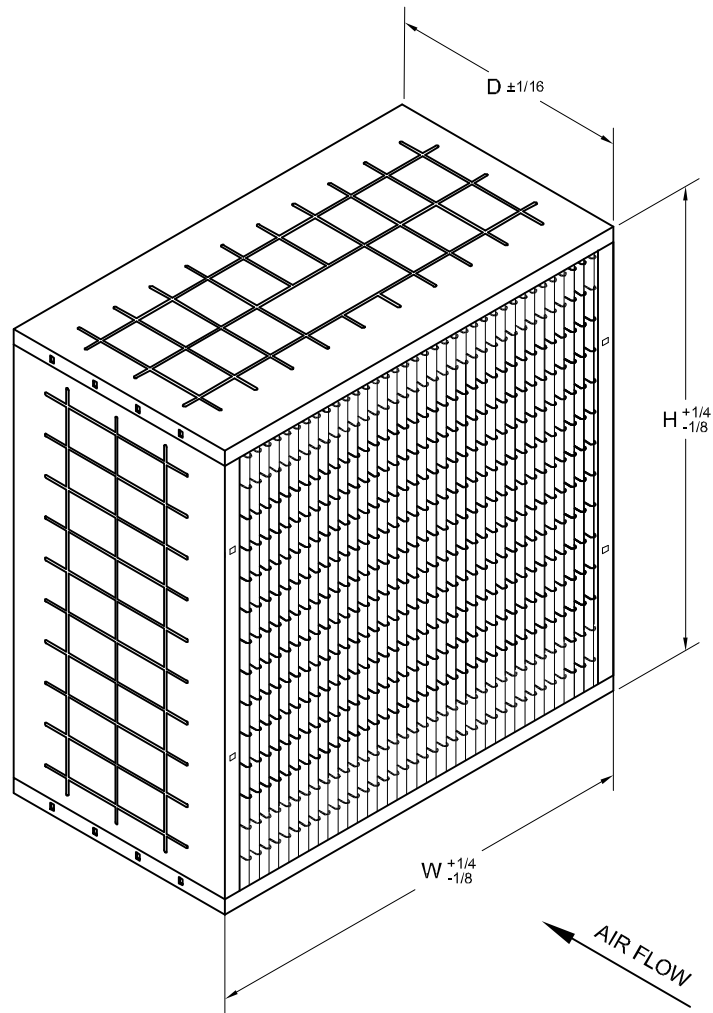


Model Number	Nominal Size (Inches) W x H x D	Actual Size (Inches) W x H x D	Rated Air Flow (CFM)	Initial Resistance (In. W.G.)	Media Area (Square Feet)	MERV
PLT12-M11-04-NH	24 X 24 X 12	23-3/8 X 23-3/8 X 11-1/2	2000	0.17	126	11
PLT12-M11-15-NH	20 X 24 X 12	19-3/8 X 23-3/8 X 11-1/2	1650	0.17	110	11
PLT12-M11-13-NH	20 X 20 X 12	19-3/8 X 19-3/8 X 11-1/2	1400	0.17	90	11
PLT12-M11-03-NH	12 X 24 X 12	11-3/8 X 23-3/8 X 11-1/2	1000	0.17	66	11



STANDARD CONSTRUCTION

1. White, Synthetic Media
2. E-Pleat Technology Pleat Pack
Embossed Media with Adhesive Bead Separators
3. High-Impact Poly Styrene Plastic Frame Panels
4. Foamed Hot Melt Sealant
5. (4) Spring Latch Retainer Slots Air Entering Side
6. Gasket Optional

NOTES

1. Testing per ASHRAE 52.2-2017
Tested at 492 FPM on 24x24 Face Size
2. Final Resistance: 1.5" W.G.
3. Rated Velocity - 500 FPM
4. Maximum Operating Temperature: 170 deg. F (76 deg. C)
5. Classified per UL Standard 900 for Flammability
6. Special Sizes Not Available.



HVAC Filtration Division
100 River Ridge Circle
Jeffersonville, IN 47130
P: 866-247-4827
F: 866-601-1809

CONTACT FACTORY TO
VERIFY REVISION LEVEL

**TOLERANCES
UNLESS OTHERWISE SPECIFIED**

FRACTIONAL -
DECIMAL -
ANGLES -

ALL DIMENSIONS IN INCHES

DRAWING NAME

PARKER LOADTECH PLT12-M14 NH

APPROVED BY

K. Quinn

SPECIFICATION NO.

MKT-B-00728

PAGE 1 OF 1

SCALE

NONE

DWG. SIZE

A

REVISION

A

REVISION DATE

11-19-19

THIS MATERIAL IS PROPRIETARY, BEING EXCLUSIVELY OWNED BY PARKER HANNIFIN CORPORATION. THE EXPRESSION OF THE INFORMATION CONTAINED HEREIN IS PROTECTED UNDER FEDERAL COPYRIGHT LAWS. ALL RIGHTS RESERVED.