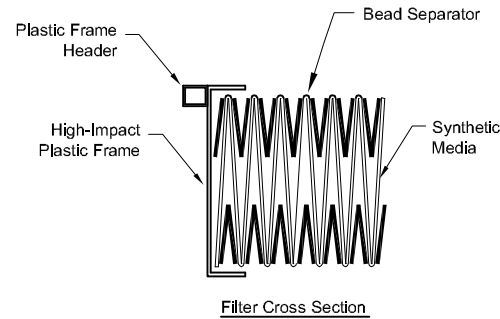
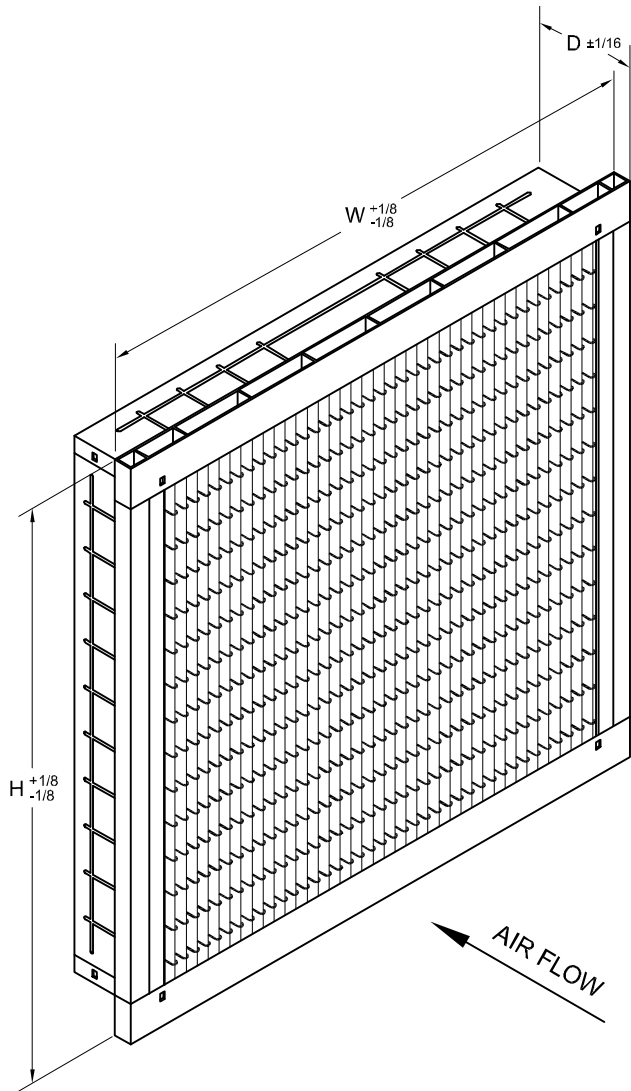


MODEL NUMBER	NOMINAL SIZE (INCHES) W X H X D	ACTUAL SIZE (INCHES) W X H X D	RATED AIR FLOW (CFM)	INITIAL RESISTANCE (IN. W.G.)	MEDIA AREA (SQUARE FEET)	MERV
PLT4-M11-04-PH	24 X 24 X 4	23-3/8 X 23-3/8 X 3-3/4	2000	0.25	53	11
PLT4-M11-15-PH	20 X 24 X 4	19-3/8 X 23-3/8 X 3-3/4	1650	0.25	44	11
PLT4-M11-13-PH	20 X 20 X 4	19-3/8 X 19-3/8 X 3-3/4	1400	0.25	36	11
PLT4-M11-03-PH	12 X 24 X 4	11-3/8 X 23-3/8 X 3-3/4	1000	0.25	22	11



STANDARD CONSTRUCTION

1. White, 100% Synthetic Media
2. E-Pleat Technology Pleat Pack Embossed Media with Adhesive Bead Separators
3. High-Impact Plastic Frame Panels
4. Foamed Hot Melt Sealant
5. 3/4" single header air entering side
6. Gasket Optional

NOTES

1. Testing per ASHRAE 52.2-2017
Tested At 492 FPM on 24x24 Nominal Size
2. Final Resistance: 1.5" W.G.
3. Rated Velocity - 500 FPM
4. Maximum Operating Temperature: 170 deg. F (76 deg. C)
5. Classified per UL Standard 900 for Flammability
6. Special Sizes Not Available



HVAC Filtration Division
100 River Ridge Circle
Jeffersonville, IN 47130
P: 866-247-4827
F: 866-601-1809

CONTACT FACTORY TO
VERIFY REVISION LEVEL

**TOLERANCES
UNLESS OTHERWISE SPECIFIED**

FRACTIONAL -
DECIMAL -
ANGLES -

ALL DIMENSIONS IN INCHES

DRAWING NAME

PARKER LOADTECH PLT4-M11 PH

APPROVED BY

K. Quinn

SPECIFICATION NO.

MKT-B-00751

PAGE 1 OF 1

SCALE

NONE

DWG. SIZE

A

REVISION

NEW

REVISION DATE

11-19-19

THIS MATERIAL IS PROPRIETARY, BEING EXCLUSIVELY OWNED BY PARKER HANNIFIN CORPORATION. THE EXPRESSION OF THE INFORMATION CONTAINED HEREIN IS PROTECTED UNDER FEDERAL COPYRIGHT LAWS. ALL RIGHTS RESERVED.