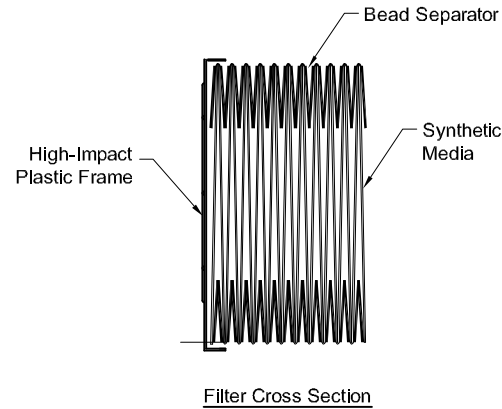
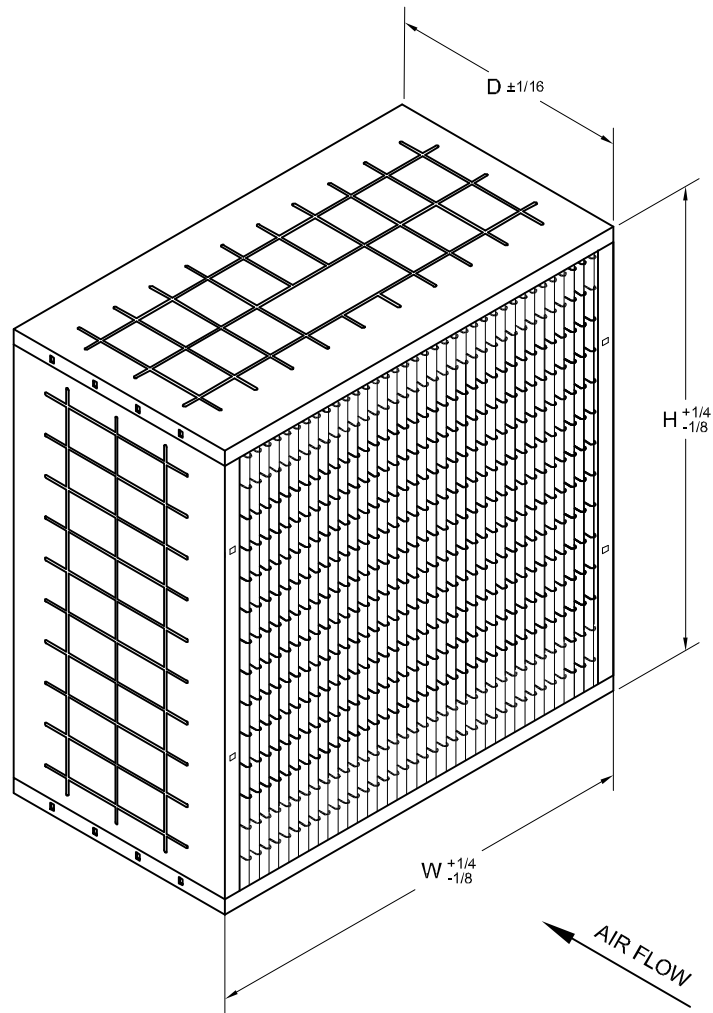


Model Number	Nominal Size (Inches) W x H x D	Actual Size (Inches) W x H x D	Rated Air Flow (CFM)	Initial Resistance (In. W.G.)	Media Area (Square Feet)	MERV
PLT12-M14-04-NH	24 X 24 X 12	23-3/8 X 23-3/8 X 11-1/2	2000	0.29	122	14
PLT12-M14-15-NH	20 X 24 X 12	19-3/8 X 23-3/8 X 11-1/2	1650	0.29	103	14
PLT12-M14-13-NH	20 X 20 X 12	19-3/8 X 19-3/8 X 11-1/2	1400	0.29	85	14
PLT12-M14-03-NH	12 X 24 X 12	11-3/8 X 23-3/8 X 11-1/2	1000	0.29	60	14



**STANDARD CONSTRUCTION**

- 100% Gold Tinted Synthetic Media
- E-Pleat Technology Pleat Pack  
Embossed Media with Adhesive Bead Separators
- High-Impact Poly Styrene Plastic Frame Panels
- Foamed Hot Melt Sealant
- (4) Spring Latch Retainer Slots Air Entering Side
- Gasket Optional

**NOTES**

- Testing per ASHRAE 52.2-2017  
Tested at 492 FPM on 24x24 Face Size
- Final Resistance: 1.5" W.G.
- Rated Velocity - 500 FPM
- Maximum Operating Temperature: 170 deg. F (76 deg. C)
- Classified per UL Standard 900 for Flammability
- Special Sizes Not Available.



HVAC Filtration Division  
100 River Ridge Circle  
Jeffersonville, IN 47130  
P: 866-247-4827  
F: 866-601-1809

CONTACT FACTORY TO  
VERIFY REVISION LEVEL

**TOLERANCES  
UNLESS OTHERWISE SPECIFIED**

FRACTIONAL —  
DECIMAL —  
ANGLES —

ALL DIMENSIONS IN INCHES

DRAWING NAME

PARKER LOADTECH PLT12 NH

APPROVED BY

*K. Quinn*

SPECIFICATION NO.

MKT-B-00728

PAGE 1 OF 1

SCALE

NONE

DWG. SIZE

A

REVISION

NEW

REVISION DATE

05-15-19

THIS MATERIAL IS PROPRIETARY, BEING EXCLUSIVELY OWNED BY PARKER HANNIFIN CORPORATION. THE EXPRESSION OF THE INFORMATION CONTAINED HEREIN IS PROTECTED UNDER FEDERAL COPYRIGHT LAWS. ALL RIGHTS RESERVED.