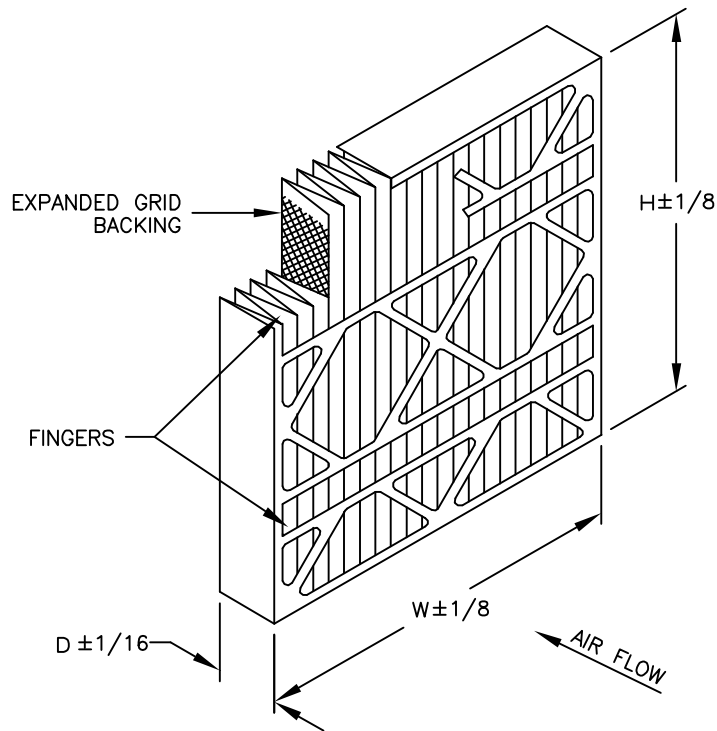


Model Number	Nominal Size (Inches) W x H x D	Actual Size (Inches) W x H x D	Rated Air Flow (CFM)	Initial Resistance (In. W.G.)	Media Area (Square Feet)
DMK80HD-STD4	12 X 24 X 4	11-3/8 X 23-3/8 X 3-3/4	1000	0.23	12.4
DMK80HD-STD4	16 X 20 X 4	15-1/2 X 19-1/2 X 3-3/4	1120	0.23	14.5
DMK80HD-STD4	16 X 25 X 4	15-1/2 X 24-1/4 X 3-3/4	1400	0.23	18.3
DMK80HD-STD4	20 X 20 X 4	19-1/2 X 19-1/2 X 3-3/4	1400	0.23	18.7
DMK80HD-STD4	20 X 24 X 4	19-3/8 X 23-3/8 X 3-3/4	1670	0.23	22.4
DMK80HD-STD4	20 X 25 X 4	19-1/2 X 24-1/2 X 3-3/4	1750	0.23	23.5
DMK80HD-STD4	24 X 24 X 4	23-3/8 X 23-3/8 X 3-3/4	2000	0.23	27.4



STANDARD CONSTRUCTION

- 100% Heavy Duty Polyester Media
- 11.0 Pleats Per Foot
- Heavy Duty Expanded Metal Wire Backing
0.042 lb/sf, 0.042" Wire Thickness
- 27 Point Moisture Resistant Beverage Board Frame
- Double Wall Frame
- (2) Rows of Fingers on Air Entering Side

NOTES

- MERV 9 Per ASHRAE 52.2-2012
MERV-A 9-A Per ASHRAE 52.2-2012 Appendix J
Tested at 492 FPM on 24x24x4 Filter Size
- Final Resistance: 1.0" W.G.
- Rated Velocity: 500 FPM
- Classified Per UL Standard 900 for Flammability
- Maximum Operating Temperature: 225 deg. F

Purolator
 100 River Ridge Circle
 Jeffersonville, IN 47130
 P: 866-925-2247
 F: 866-601-1809
 www.clcair.com/purolator

CONTACT FACTORY TO
 VERIFY REVISION LEVEL

TOLERANCES
 UNLESS OTHERWISE SPECIFIED

FRACTIONAL —
 DECIMAL —
 ANGLES —

ALL DIMENSIONS IN INCHES

DRAWING NAME

DEFIANT MARK 80 HD PLEAT (4" DEPTH)

APPROVED BY

K. Quinn

SPECIFICATION NO.

MKT-P-00652

PAGE

1 OF 1

SCALE

NONE

DWG. SIZE

A

REVISION

NEW

REVISION DATE

03-24-17

CONFIDENTIAL - DO NOT COPY. THIS MATERIAL IS TRADE SECRET AND PROPRIETARY BEING EXCLUSIVELY OWNED BY CLCAIR. THE EXPRESSION OF THE INFORMATION CONTAINED HEREIN IS PROTECTED UNDER FEDERAL COPYRIGHT LAWS AND ALL COPYING IS PROHIBITED AND MAY BE SUBJECT TO CRIMINAL PENALTIES.