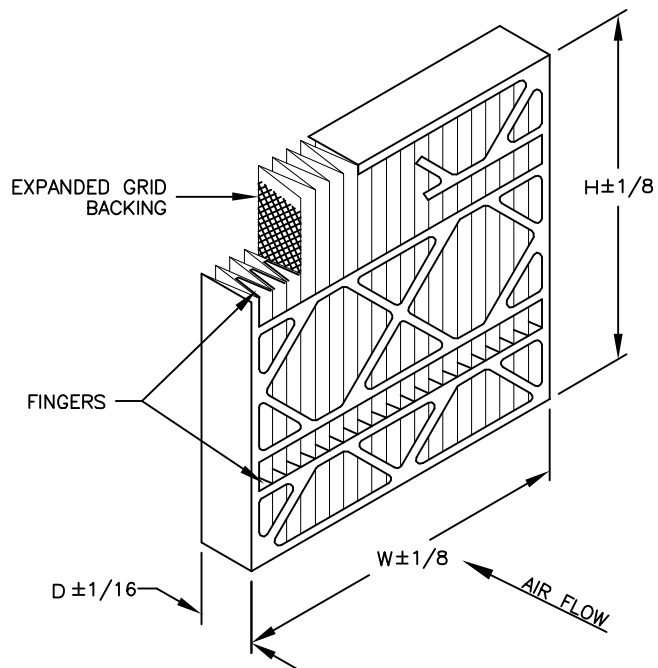


Model Number	Nominal Size (Inches) W x H x D	Actual Size (Inches) W x H x D	Rated Air Flow (CFM)	Initial Resistance (In. W.G.)	Media Area (Square Feet)
HE40-STD6	12 X 24 X 6	11-3/8 X 23-3/8 X 5-7/8	1000	0.18	16.9
HE40-STD6	16 X 20 X 6	15-1/2 X 19-1/2 X 5-7/8	1120	0.18	18.9
HE40-STD6	16 X 25 X 6	15-1/2 X 24-1/2 X 5-7/8	1400	0.18	23.6
HE40-STD6	18 X 24 X 6	17-3/8 X 23-3/8 X 5-7/8	1500	0.18	26.3
HE40-STD6	20 X 20 X 6	19-1/2 X 19-1/2 X 5-7/8	1400	0.18	23.7
HE40-STD6	20 X 24 X 6	19-3/8 X 23-3/8 X 5-7/8	1670	0.18	28.2
HE40-STD6	20 X 25 X 6	19-1/2 X 24-1/2 X 5-7/8	1750	0.18	29.5
HE40-STD6	24 X 24 X 6	23-3/8 X 23-3/8 X 5-7/8	2000	0.18	33.8



STANDARD CONSTRUCTION

- 100% Synthetic Thermally Bonded White Media
- 9 Pleats Per Foot
- Expanded Metal Pleat Supports
- Moisture Resistant Beverage Board Frame
- Double Wall Frame
- (2) Rows of Fingers on Air Entering Side

NOTES

- MERV 8 per ASHRAE 52.2-2012
MERV 8-A per ASHRAE 52.2-2012 Appendix J
Tested at 492 FPM on 24x24x6 filter size
- Final Resistance: 1.0" W.G.
- Rated Velocity: 500 FPM
- Classified per UL Standard 900 for Flammability
- Maximum Operating Temperature: 225 deg. F


 100 River Ridge Circle
 Jeffersonville, IN 47130
 P: 866-925-2247
 F: 866-601-1809
www.clclair.com/purolator

CONTACT FACTORY TO
VERIFY REVISION LEVEL

TOLERANCES
UNLESS OTHERWISE SPECIFIED

FRACTIONAL -
DECIMAL -
ANGLES -

ALL DIMENSIONS IN INCHES

DRAWING NAME

HI-E 40 PLEAT (6" DEPTH)

APPROVED BY

K. Quinn

SPECIFICATION NO.

MKT-P-00541

PAGE

1 OF 1

SCALE

NONE

DWG. SIZE

A

REVISION

E

REVISION DATE

04-01-16

CONFIDENTIAL - DO NOT COPY. THIS MATERIAL IS TRADE SECRET AND PROPRIETARY BEING EXCLUSIVELY OWNED BY CLC AIR. THE EXPRESSION OF THE INFORMATION CONTAINED HEREIN IS PROTECTED UNDER FEDERAL COPYRIGHT LAWS AND ALL COPYING IS PROHIBITED AND MAY BE SUBJECT TO CRIMINAL PENALTIES.