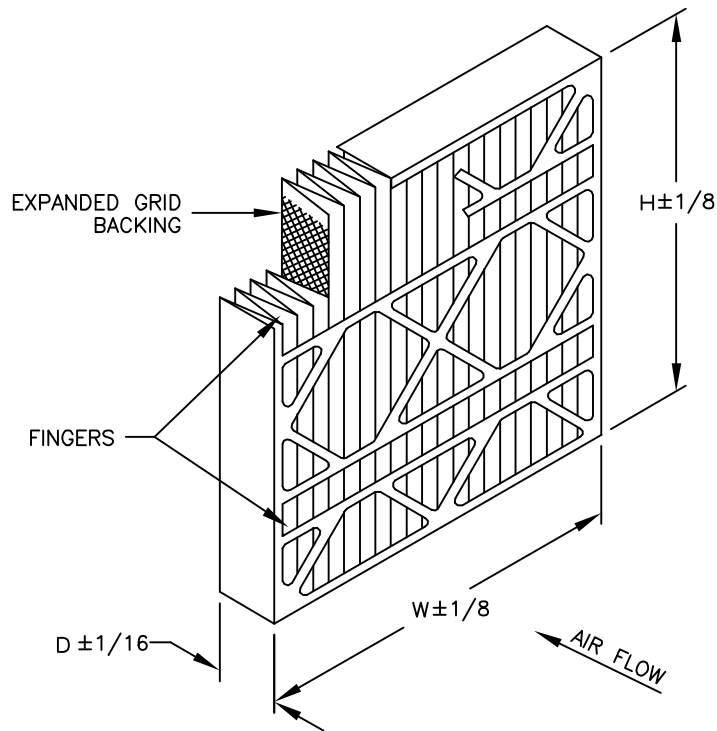


Model Number	Nominal Size (Inches) W x H x D	Actual Size (Inches) W x H x D	Rated Air Flow (CFM)	Initial Resistance (In. W.G.)	Media Area (Square Feet)
PR13-STD4	12 X 24 X 4	11-3/8 X 23-3/8 X 3-3/4	1000	0.30	12.4
PR13-STD4	16 X 20 X 4	15-1/2 X 19-1/2 X 3-3/4	1120	0.30	14.5
PR13-STD4	16 X 25 X 4	15-1/2 X 24-1/4 X 3-3/4	1400	0.30	18.3
PR13-STD4	18 X 24 X 4	17-3/8 X 23-3/8 X 3-3/4	1500	0.30	19.9
PR13-STD4	20 X 20 X 4	19-1/2 X 19-1/2 X 3-3/4	1400	0.30	18.7
PR13-STD4	20 X 24 X 4	19-3/8 X 23-3/8 X 3-3/4	1670	0.30	22.4
PR13-STD4	20 X 25 X 4	19-1/2 X 24-1/2 X 3-3/4	1750	0.30	23.5
PR13-STD4	24 X 24 X 4	23-3/8 X 23-3/8 X 3-3/4	2000	0.30	27.4



STANDARD CONSTRUCTION

1. 100% Synthetic White Un-Dyed Media
2. 11.0 Pleats Per Foot
3. Expanded Metal Pleat Supports
4. Moisture Resistant Beverage Board Frame
5. Double Wall Frame
6. (2) Rows of Fingers on Air Entering Side

NOTES

1. MERV 13 Per ASHRAE 52.2-2012
Tested at 492 FPM on 24x24x4 Nominal size
2. Final Resistance: 1.0" W.G.
3. Rated Velocity: 500 FPM
4. Classified Per UL Standard 900 for Flammability
5. Maximum Operating Temperature: 225 deg. F



100 River Ridge Circle
Jeffersonville, IN 47130
P: 866-925-2247
F: 866-601-1809
www.clair.com/purolator

CONTACT FACTORY TO
VERIFY REVISION LEVEL

**TOLERANCES
UNLESS OTHERWISE SPECIFIED**

FRACTIONAL -
DECIMAL -
ANGLES -

ALL DIMENSIONS IN INCHES

DRAWING NAME

PURO-G13EEN (4" DEPTH)

APPROVED BY

K. Quinn

SPECIFICATION NO.

MKT-P-00576

PAGE

1 OF 1

SCALE

NONE

DWG. SIZE

A

REVISION

A

REVISION DATE

08-24-15

CONFIDENTIAL - DO NOT COPY. THIS MATERIAL IS TRADE SECRET AND PROPRIETARY BEING EXCLUSIVELY OWNED BY CLC AIR. THE EXPRESSION OF THE INFORMATION CONTAINED HEREIN IS PROTECTED UNDER FEDERAL COPYRIGHT LAWS AND ALL COPYING IS PROHIBITED AND MAY BE SUBJECT TO CRIMINAL PENALTIES.