

Fulflo® BSSB Filter Vessel

Stainless steel vessels for water & corrosive fluid applications (non ASME code)

The BSSB models have a 316 stainless steel shell and a four-boss 316 stainless steel head for applications where an all-stainless steel construction is required. The single center bolt allows for quick cartridge change-out while the in-line connections provide for easy installation.



Contact Information

Parker Hannifin Corporation
Industrial Process Filtration - N.A.
118 Washington Avenue
Mineral Wells, TX 76067

phone +1 940 325 2575
industrialprocess.na@parker.com

www.parker.com/industrialprocess

Benefits

- Single center bolt for quick cartridge change
- In-line pipe connections for easy installation
- Bracket kit for installation on drilled head bosses for easy mounting
- Spring-loaded bottom seat for positive cartridge sealing
- O-ring closure seal provides positive sealing
- BSSB Series filter vessels take standard DOE cartridges

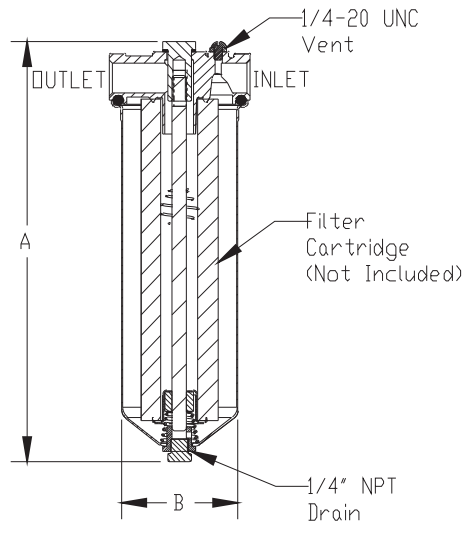
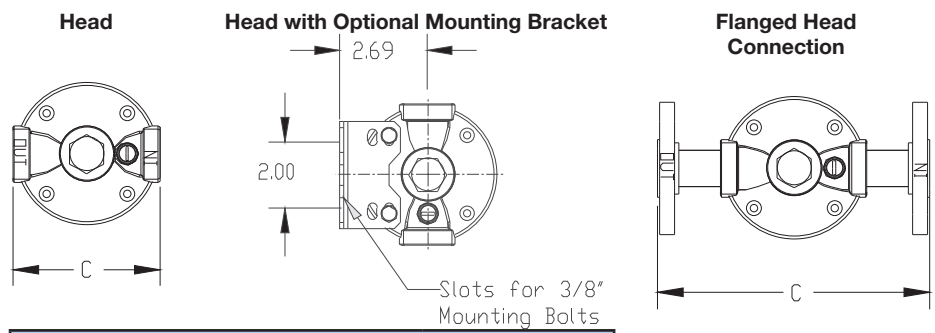
Applications

- Petrochemicals
- Coolants
- Hydraulic Oils
- Process Water
- Solvents
- Potable Liquids
- Compressed Air



ENGINEERING YOUR SUCCESS.

Fulflo® BSSB Filter Vessel



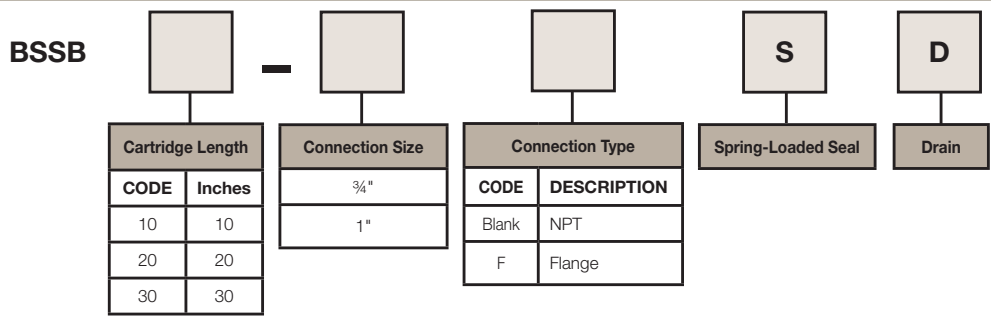
Optional Shell O-Ring/Gasket	
Material	Part #
Nitrile/Buna-N (Std.)	4150-5178
EPDM	4150-5177
FKM (Viton®)	4150-5179
Fluoropolymer	4150-5226
Fluoropolymer encapsulated Viton®	4150-5361
Fluoropolymer encapsulated Silicone	4150-5382

BSSB Design Specifications

Model	Typical Aqueous Flow† (gpm)	Cartridge Length (in)	Max. Op. Pressure (psi @ 250°F)	Max. Op. Pressure (psi @ 200°F)	(A) Overall Height (in)	(B) Outside Diam. (in)	(C) Face-to-Face Dim. (in)	Port Size (in)	Shipping Wt. (lbs)
BSSB10-¼ SD	5	(1) 10	150psi (10.3bar)	175psi (12.1bar)	12.75	3.63	4.31	¼ FNPT	6.0
BSSB20-¼ SD	10	(1) 20	150psi (10.3bar)	175psi (12.1bar)	22.88	3.63	4.31	¼ FNPT	10.50
BSSB30-¼ SD	15	(1) 30	150psi (10.3bar)	175psi (12.1bar)	33.25	3.63	4.31	¼ FNPT	15.00
BSSB10-1 SD	5	(1) 10	150psi (10.3bar)	175psi (12.1bar)	13.0	3.63	4.5	1 FNPT	6.0
BSSB20-1 SD	10	(1) 20	150psi (10.3bar)	175psi (12.1bar)	23.13	3.63	4.5	1 FNPT	10.50
BSSB30-1 SD	15	(1) 30	150psi (10.3bar)	175psi (12.1bar)	33.25	3.63	4.5	1 FNPT	15.00
BSSB10-¼ FSD	5	(1) 10	150psi (10.3bar)	175psi (12.1bar)	12.75	3.63	8.0	¼ Flange	9.0
BSSB20-¼ FSD	10	(1) 20	150psi (10.3bar)	175psi (12.1bar)	22.88	3.63	8.0	¼ Flange	13.5
BSSB30-¼ FSD	15	(1) 30	150psi (10.3bar)	175psi (12.1bar)	33.25	3.63	8.0	¼ Flange	18.0
BSSB10-1 FSD	5	(1) 10	150psi (10.3bar)	175psi (12.1bar)	12.75	3.63	8.0	1 Flange	9.0
BSSB20-1 FSD	10	(1) 20	150psi (10.3bar)	175psi (12.1bar)	22.88	3.63	8.0	1 Flange	13.5
BSSB30-1 FSD	15	(1) 30	150psi (10.3bar)	175psi (12.1bar)	33.25	3.63	8.0	1 Flange	18.0

† Actual flow rate is dependent on fluid viscosity, micron rating, contaminant and media type.

Ordering Information



Specifications are subject to change without notification. For User Responsibility Statement, see www.parker.com/safety

© 2017 Parker-Hannifin Corporation
Industrial Process Filtration - North America
All Rights Reserved

Fulflo is a registered trademark of Parker-Hannifin Corporation
Viton is a registered trademark of E.I. DuPont de Nemours & Co., Inc.

