

Fulflo® CB Bag Filter Vessels

Carbon steel, 304/316 stainless steel,
non-ASME code bag filter vessel

The Fulflo® CB filter vessel series is an economical design that features the integrity of a swing bolt for fast, easy opening and closing. The CB series is available in either carbon steel, 304 or 316 stainless steel. It comes with standard zinc plated bolts and legs for corrosion resistance but are also offered with stainless steel options. The integral basket support provides a smooth interior for easy cleaning and bag installation.

The Fulfo CB filter vessel is for use with either single or double length bags with flex type bands or flared plastic rings and can also be used with solid ring and plastic ring bags by using the optional bag sealing insert and adding an O-ring under the basket rim. The adjustable legs offer installation flexibility by allowing various inlet elevations and nozzle orientations. Wall mounting brackets are available as well.

The CB filter vessel series replaces the FCB filter vessel series.

Contact Information

Parker Hannifin Corporation
Industrial Process Filtration - N.A.
118 Washington Avenue
Mineral Wells, TX 76067

phone +1 940 325 2575
industrialprocess.na@parker.com

www.parker.com/industrialprocess



Benefits

- Single O-ring design closure assures quick, positive cover sealing
- Swing bolts for fast, and easy opening and closing of cover
- Maximum design pressure is 175psi (12bar) at 250°F (121°C)
- Commercial engineering non-code design
- Threaded vent & drain connections
- Carbon steel with zinc plated support basket or 304/316 SS with 316 SS support basket
- Optional mounting wall bracket (P/N 0820-6005)
- Adjustable leg height
- Side inlet allows cover to open without disconnecting piping
- Integral basket support design provides a smooth interior for easy wash-out and cleaning
- Pivot pin cover allows cover to remain attached when opened
- Positive seal of “C” style flex band bags prior to closing the vessel cover
- Optional retainer assembly for conversion to solid ring (“G” style) and plastic ring (“Q” style) bags (P/N 5020-5244)
- Zinc plated closure bolts and legs for corrosion resistance

Applications

- Potable Water
- Cutting Oils
- Solvents
- Coolants
- Process Water
- Coatings
- Lubricant

ENGINEERING YOUR SUCCESS.

Fulflo® CB Bag Filter Vessels

Available Finishes

- Enamel exterior paint on carbon steel models
- Glass bead blast finish on stainless models

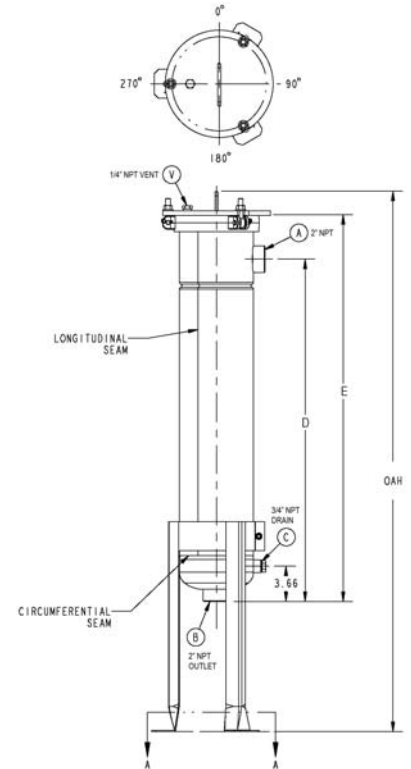
Material of Construction	Max. Allowable Pressure (MAP) (psi @ MAT °F)	Max. Allowable Temp. (MAT) (°F @ MAPpsi)
Carbon Steel	175psi (12.1bar)	400°F (204°C)* **
304 Stainless	175psi (12.1bar)	400°F (204°C)**
316 Stainless	175psi (12.1bar)	400°F (204°C)**

* Limited to 250°F by the paint

** Limited to 250°F by the std. Buna-N O-ring

Model *Material of Construction (C, G or S)	Bag Style	Typical Aqueous Flow† (gpm)	Dimensions			Shipping Weight (lbs)	Volume (gal.)
			D	E	OAH		
CB*1S2T	Single	80	20.41	25.00	40.94	65	4.3
CB*1D2T	Double	160	35.41	40.00	55.94	90	7.2

† Actual flow rate is dependent on fluid viscosity, micron rating, contaminant and media type. Consult flow charts for each application.



Ordering Information

CB		1	2T				
Material		Bag Length		Inlet/Outlet Flange Size	Support Options		
Code	Description	Code	Inches	Code	Inches	Code	Description
C	Carbon Steel	S	17.5	2T	2" NPT	Blank	Zinc plated carbon steel legs
G	304 Stainless Steel	D	31.5			W	Wall Mounted/No legs
S	316 Stainless Steel					SL	Stainless steel legs
						SB	Stainless steel cover bolts
						SS	Stainless steel bolts & legs

Example Part# Configuration for Orders (no dashes):
 CBC1S2T
 CBG1D2TW

Specifications are subject to change without notification.
 For User Responsibility Statement, see www.parker.com/safety

© 2017 Parker-Hannifin Corporation
 Industrial Process Filtration - North America
 All Rights Reserved

Fulflo is a registered trademark of Parker-Hannifin Corporation
 Viton is a registered trademark of E.I. DuPont de Nemours & Co., Inc.

